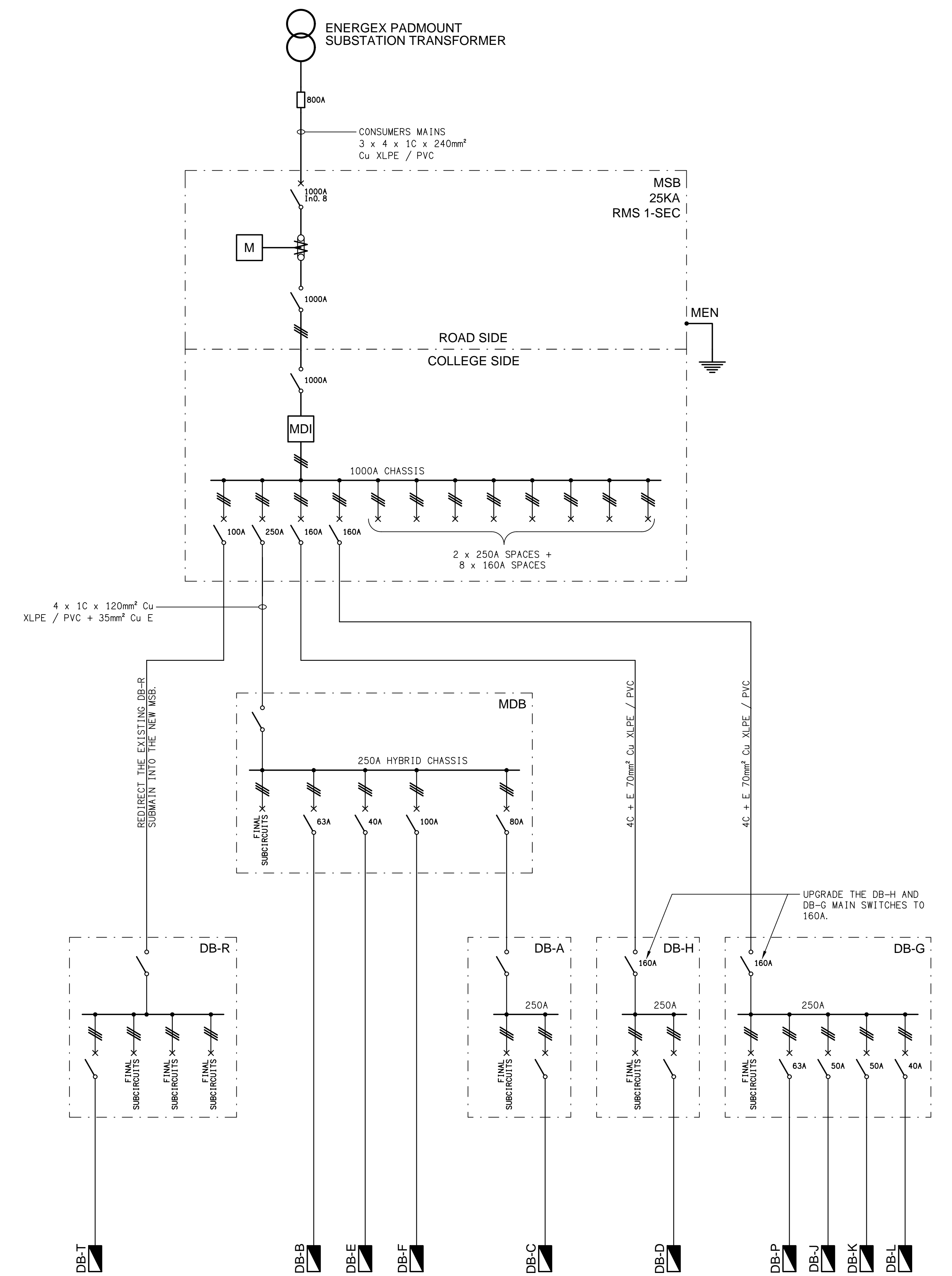


**EXISTING MODIFIED**  
POWER DISTRIBUTION SCHEMATIC  
NOT TO SCALE



**FINAL**  
POWER DISTRIBUTION SCHEMATIC  
NOT TO SCALE

ELECTRICAL DESIGN GROUP BRISBANE  
PTY LTD  
ACN 092 710 793  
TRADING AS:  
ELECTRICAL DESIGN GROUP

THE COPYRIGHT OF THIS DRAWING  
REMAINS THE PROPERTY OF THE  
ELECTRICAL DESIGN GROUP.  
USE FIGURED DIMENSIONS  
IN PREFERENCE TO SCALE.  
ALL DIMENSIONS TO BE  
VERIFIED ONSITE.

**ELECTRICAL DESIGN GROUP**  
ELECTRICAL BUILDING SERVICES CONSULTANTS  
BRISBANE GOLD COAST  
P.O. Box 15, Sherwood Q.4075  
Phone: (07) 3278 4375  
Email: brisbane@edg.net.au  
Web: www.edg.net.au

PROJECT:  
**OUR LADY'S COLLEGE, ANNERLEY  
POWER SUPPLY UPGRADE**  
15 CHESTER ROAD, ANNERLEY

C	TENDER	06/02/2025
REV.	DESCRIPTION:	DATE:
DRAWING: <b>ELECTRICAL SERVICES PROPOSED STAGE 1 POWER DISTRIBUTION SCHEMATICS</b>		
SCALE: NOT TO SCALE AT A1	PROJECT NO: <b>C3219a</b>	DRAWING NO: <b>E02</b>
		REVISION: <b>C</b>